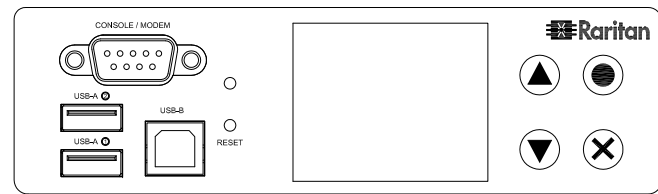
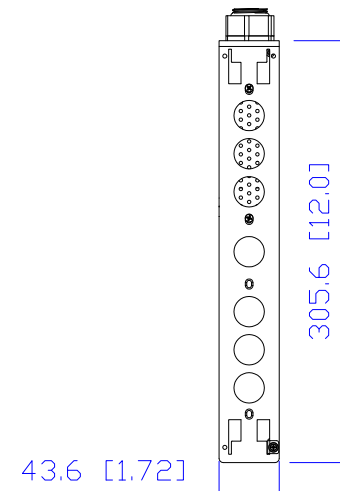


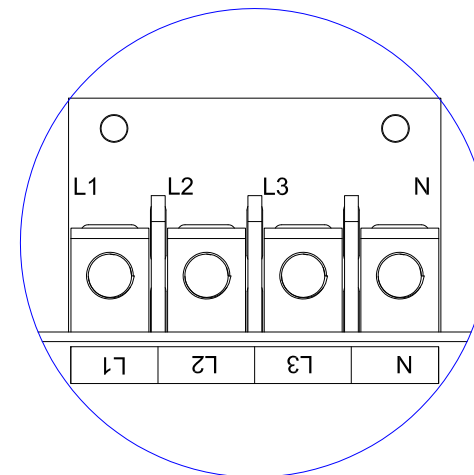
VIEW A



VIEW B



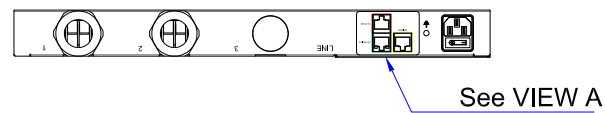
VIEW C



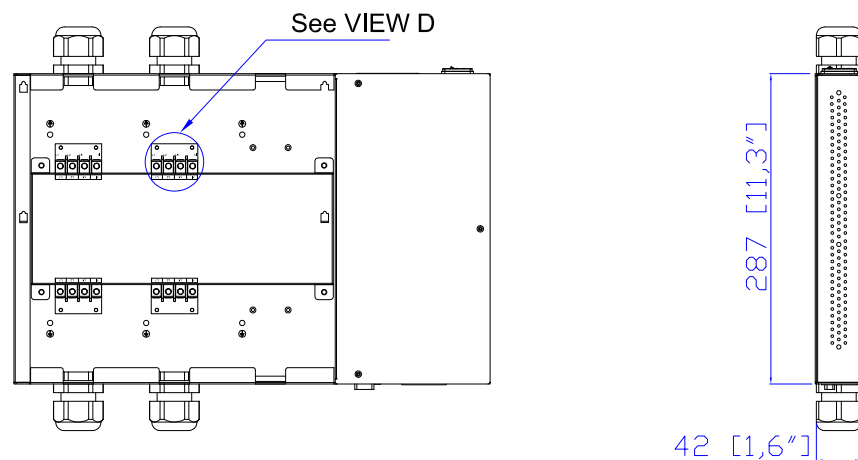
- 1. KST RNBS 5-5 or equivalent terminals for 10-12 AWG Wire
- 2. Inside diameter 5.3 mm & Outside diameter 8.3mm ring for M5 screw

VIEW D

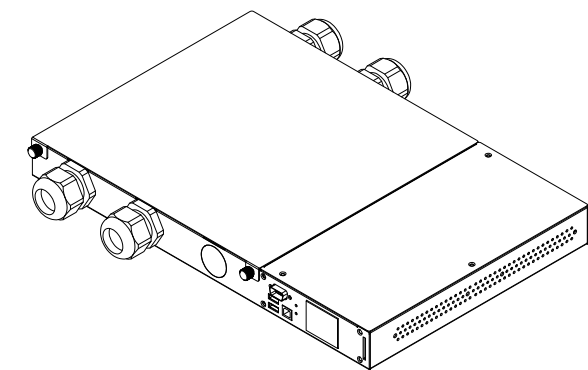
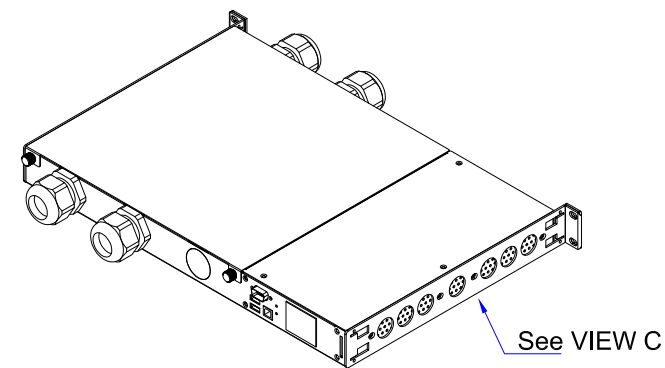
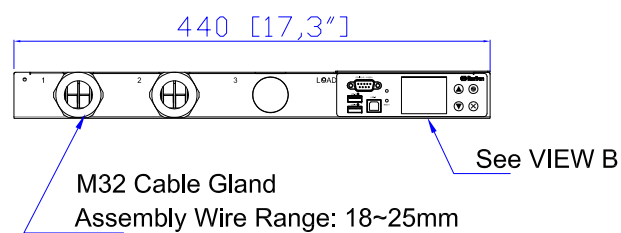
Rear



TOP



Front



NOTES:
1. ALL DIMENSIONS ARE MILLIMETERS [INCHES].

| | | | | |
|--------------------------------------|--|---|---|---|
| | | PROJECTION THIRD ANGLE | DO NOT SCALE DRAWING SHEET 1 OF 1 | TITLE: iPDU Zero U Single phase, 32A/190-415V Input Plug: 32A Terminal 3PY (2) Output Plug: 32A Terminal 3PY (2) |
| | | THIS DRAWING AND SPECIFICATIONS HEREIN ARE THE PROPERTY OF RARITAN, INC. AND SHALL NOT BE COPIED, REPRODUCED OR USED, IN WHOLE OR IN PART, AS THE BASIS FOR THE MANUFACTURE OR SALE OF ITEMS WITHOUT WRITTEN PERMISSION FROM RARITAN, INC. THIS DRAWING IS BASED UPON LATEST AVAILABLE INFORMATION AND IS SUBJECT TO CHANGE WITHOUT NOTICE. | | DWG NO. MPX3-3270 |
| Drawing Maker: EVA LIN Jan. 19, 2016 | Design Engineer: Siang_H Jan. 19, 2016 | Approver: Tom_H Jan. 19, 2016 | REV. 0A | |