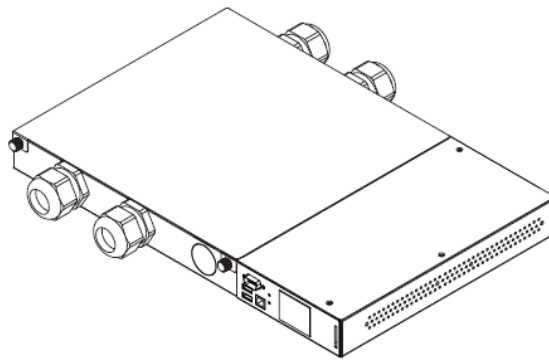


Technical Specifications / Engineering Submittals

Raritan Model Number: PX3-3270

rev20180528

LINE DRAWING



FEATURES

Energy Metering	Voltage (V), Current (A), Active Power (kW), Real Power (kVA), Energy (kWh), Power Factor
Metering Accuracy	ISO/IEC 62053-21 1%
Metering per Input Line	Yes
Metering per Branch Circuit Breaker	No
Metering per Output Receptacle	No
Remote Outlet Switching	No
Environmental Sensor Ready	Yes
Replaceable Controller	No
Compatible Sensors	Temperature, Humidity, Air Flow, Differential Pressure, Water Leak, and Contact Closure
Networking	(10/100 BaseT) Ethernet port. Optional WiFi (802.11a/b/g/n)
Remote Management	HTTP(s); SSH; Telnet; RS-232 (Serial); Power IQ; SNMP version v2/v3; SMTP; JSON-RPC; Modbus over TCP
Cascading	Yes, Max 16 PDUs can be daisy chained using USB connection
Onboard Display	Color, matrix LCD display : Voltage, current, or active power (per line); Alarms; Configuration information (name, ratings, IP / Networking information)
Embedded Processor	ARM9 400MHZ (Atmel SAM9G20), 16MB NOR Flash, 64MB SDRAM

Technical Specifications / Engineering Submittals

Raritan Model Number: PX3-3270

rev20180528

INPUT

Input Plug	AC Terminal (N/A)
Cord Length	N/A
Cord Entry	Rear feed
Cable Type	
Number of Power Cords	N/A
Maximum Input Current	32A
Nominal Input Voltage	400V 3 phase
Rated Input Voltage	190 - 415V 3 phase
Input Frequency	50/60Hz
Power Capacity	0.0kVA at 190V, 0.0kVA at 415V

OUTPUT

Nominal Output Voltage	400V
Rated Output Voltage	190 - 415V
Receptacles (Output Connections)	(2) AC Terminal, 32A
Securelock Support	No
Cord Retention	No
Overload Protection	N/A

PHYSICAL

Color	Black powder coat (custom colors available)
Unit Dimensions (WxDxH)	17.3" x 11.3" x 1.7" ; 440mm x 287mm x 44mm
Unit Weight	6.45 kg
Shipping Weight	7.15 kg
Shipping Dimensions (WxDxH)	22.05" x 19.72" x 11.02" ; 560mm x 501mm x 280mm
Mounting	RACK-KIT-PX-1U-P

Technical Specifications / Engineering Submittals

Raritan Model Number: PX3-3270

rev20180528

ENVIRONMENTAL

Operating Temperature	60°C
Operating Relative Humidity	85%
Operating Elevation	0-10000ft

CONFORMANCE

Regulatory Approvals	UL Listed and CE, Canada ICES-003, Part 15 Class A of the FCC rules, RoHS compliant
Warranty	Standard 2 years manufacturer warranty

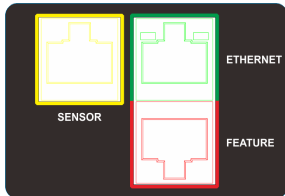
Technical Specifications / Engineering Submittals

Raritan Model Number: PX3-3270

rev20180528

CONTROL PANEL

Dimension: 58mm x 40mm



CONTROL PANEL2

Dimension: 139mm x 40mm

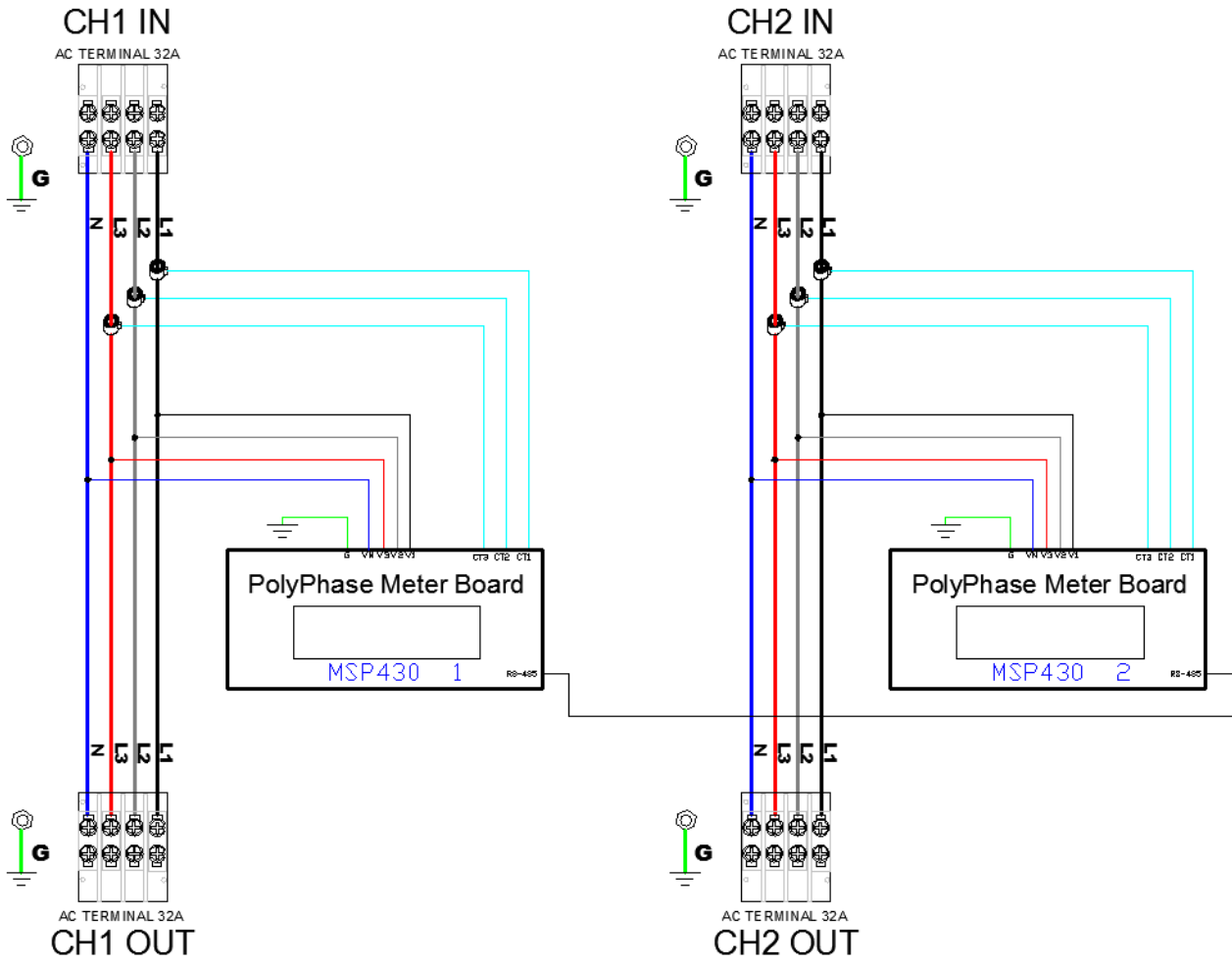


Technical Specifications / Engineering Submittals

Raritan Model Number: PX3-3270

rev20180528

ELECTRICAL (ONE LINE) DIAGRAM

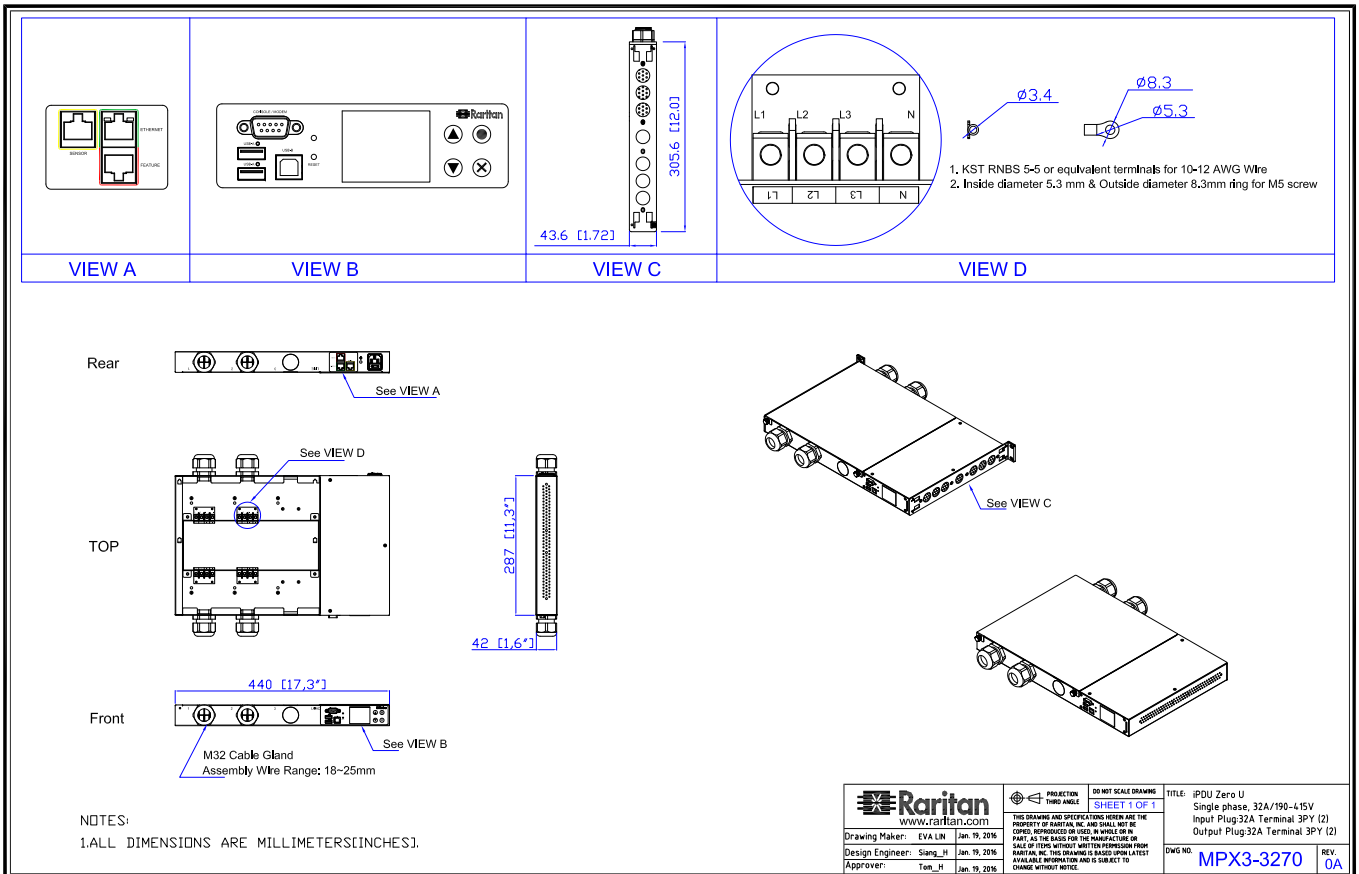


Technical Specifications / Engineering Submittals

Raritan Model Number: PX3-3270

rev20180528

MECHANICAL DIAGRAM



Technical Specifications / Engineering Submittals

Raritan Model Number: PX3-3270

rev20180528

TRIP CURVE

This file generated on: Mon, May 28, 2018 - 03:21:39